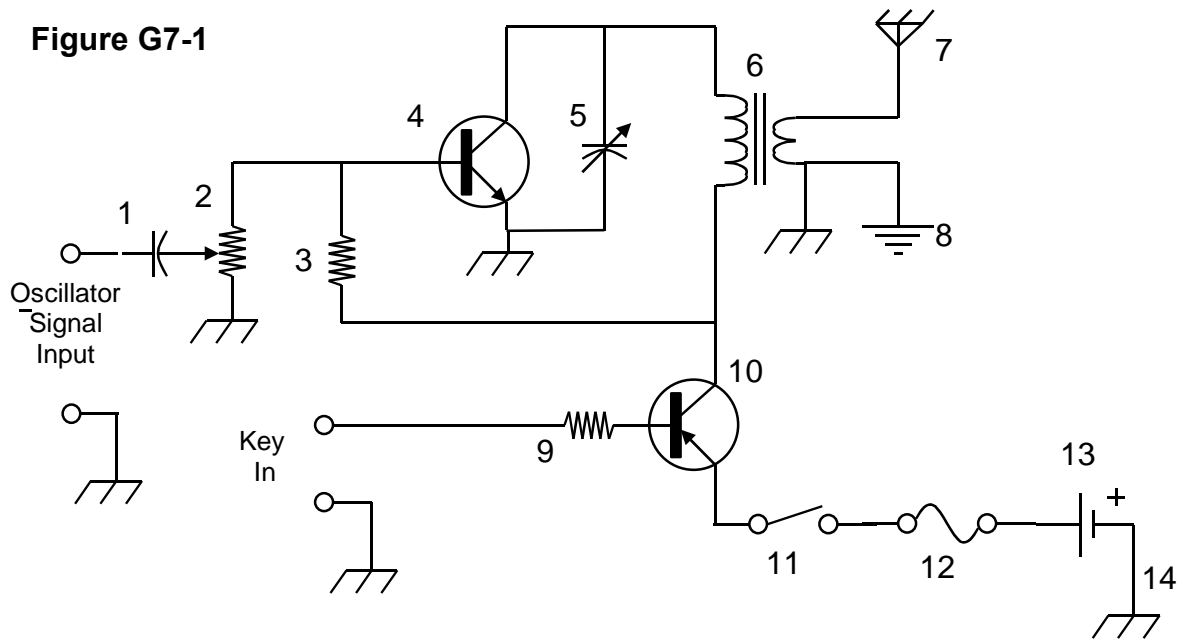


Figure G7-1



-